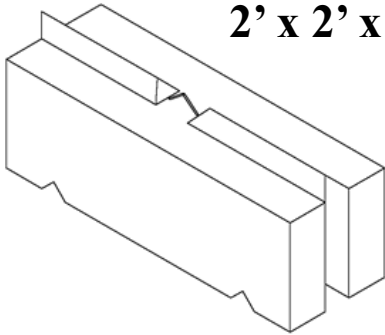
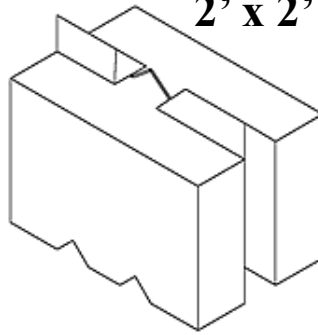


**Inter locking Retaining Wall blocks
or Non Interlocking Blocks**

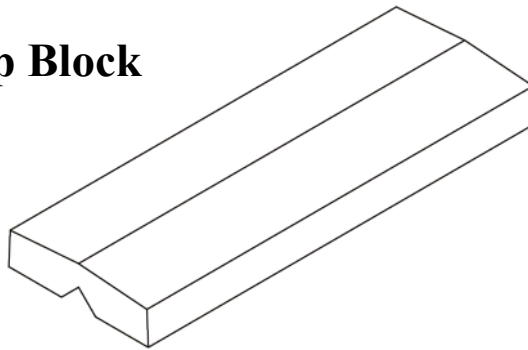
Full Block
2' x 2' x 6'



Half Block
2' x 2' x 3'



Cap Block



Waste Blocks

